

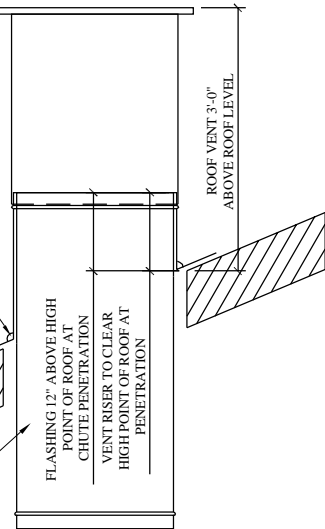
TYPICAL ROOF VENT AND FLASHING CONFIGERATIONS

ROOF CAP TO ALLOW 10 PERCENT VENTING UNDER NORMAL USE WITH HOLD DOWN CLIPS AND HINGES FOR MANUAL RELEASE WITH 100 PERCENT VENTING IN CASE OF FIRE

BASE FLASHING IS 16 GA. SEALED WITH RUBBER CAULKING

ROOF

VENT RISER TO SLIP INSIDE ROOF FLASHING TO ALLOW HEAT EXPANSION



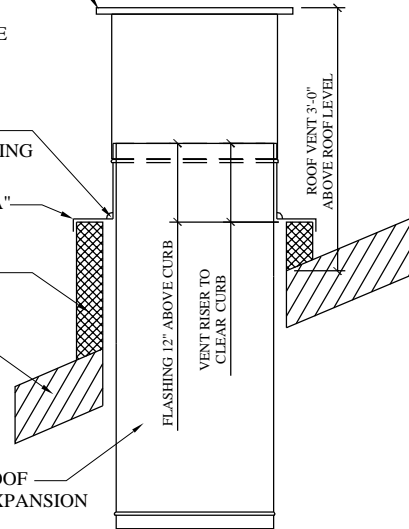
ROOF CAP TO ALLOW 10 PERCENT VENTING UNDER NORMAL USE WITH HOLD DOWN CLIPS AND HINGES FOR MANUAL RELEASE FOR 100 PERCENT VENTING IN CASE OF FIRE

BASE FLASHING IS 16 GA. SEALED WITH RUBBER CAULKING

2" TURN DOWN- SEE DETAIL "A"

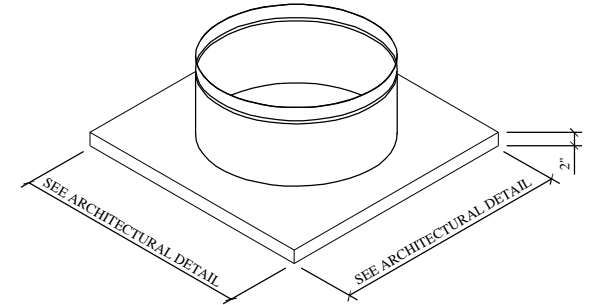
ROOF

VENT RISER TO SLIP INSIDE ROOF FLASHING TO ALLOW HEAT EXPANSION



PITCHED ROOF FLASHING WITHOUT CURB

PITCHED ROOF FLASHING WITH CURB



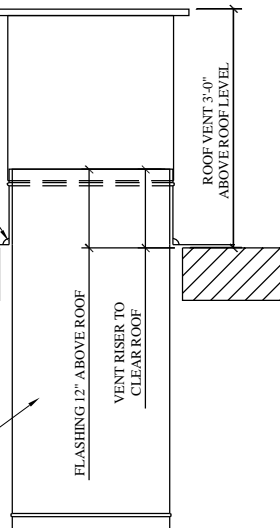
DETAIL "A"

ROOF CAP TO ALLOW 10 PERCENT VENTING UNDER NORMAL USE WITH HOLD DOWN CLIPS AND HINGES FOR MANUAL RELEASE WITH 100 PERCENT VENTING IN CASE OF FIRE

BASE FLASHING IS 16 GA. SEALED WITH RUBBER CAULKING

ROOF

VENT RISER TO SLIP INSIDE ROOF FLASHING TO ALLOW HEAT EXPANSION



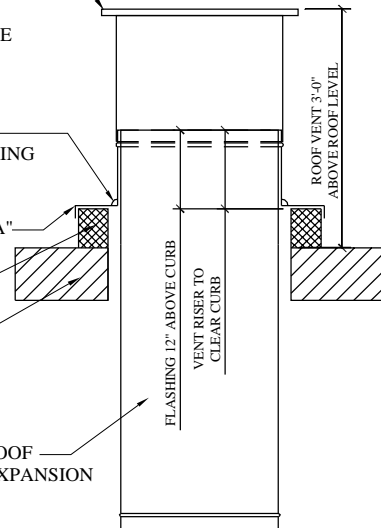
ROOF CAP TO ALLOW 10 PERCENT VENTING UNDER NORMAL USE WITH HOLD DOWN CLIPS AND HINGES FOR MANUAL RELEASE WITH 100 PERCENT VENTING IN CASE OF FIRE

BASE FLASHING IS 16 GA. SEALED WITH RUBBER CAULKING

2" TURN DOWN- SEE DETAIL "A"

ROOF

VENT RISER TO SLIP INSIDE ROOF FLASHING TO ALLOW HEAT EXPANSION



FLAT ROOF FLASHING WITHOUT CURB

FLAT ROOF FLASHING WITH CURB

NOTE:

THIS DRAWING IS THE PROPERTY OF CHUTES International Manufacturing AND IS LOANED ON THE CONDITION THAT IT IS NOT TO BE REPRODUCED AND IS NOT TO BE USED IN WHOLE OR PART TO FURNISH INFORMATION FOR THE MAKING OF DRAWINGS. VENT TO BE AS SAME GAUGE AS CHUTE.

NOTE: MUST PROVIDE MEASUREMENTS FOR CURB.

CHUTES
INTERNATIONAL
MANUFACTURING

Phone: (301) 753-4100
Toll Free: 800-88-CHUTE
Fax: (301) 753-4109
4400 Austin Lane
White Plains, MD 20695
WWW.CHUTES.COM