

# DuraPak™



## "The Quiet Solution" DP130-HD



DuraPak™ 130-HD Compactor delivers exceptional quality and power while running more quietly than similar models. Designed for high-rise applications, DuraPak™ machines are ideal choices for hotels, hospitals, apartment and office buildings.



4400 Austin Lane  
White Plains, MD 20695

866.DURAPAK  
(866.387.2725)  
301.753.4100  
FAX 301.753.4109  
www.durapak.org  
email: info@chutes.com

### Standard Features

- Remote Power Unit
- "UL" Listed Electrical Components
- 5 HP Motor 208/230 3PH
- Photo Electric Eye
- Automatic Cycle
- Mushroom Stop Button
- On/Off Key Switch
- Interlocked Side Access Door with Automatic Shut-Off
- Programmable Logic Control (PLC)
- Ratchet Turnbuckle Hook-Up
- Soft Shift Single Solenoid Valve
- Replaceable Low Friction, Noise Reducing Wear Pads
- Hinged Steel Wiper Blade
- On Light
- Container Full Light
- Oil Pressure Gauge

### Options

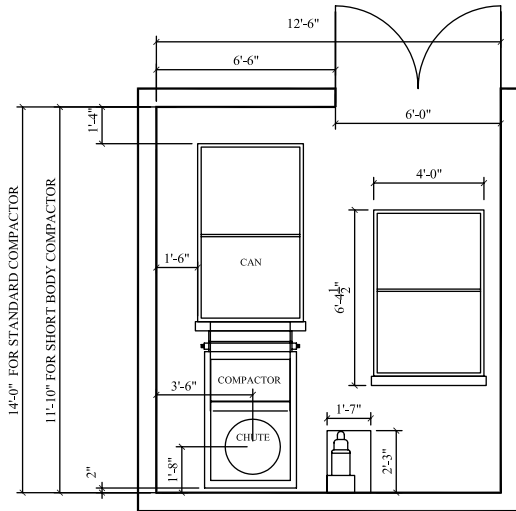
- 110 V Single Phase Motor
- 460/480V 3PH
- Access Door on Both Sides
- 2 or 3 Yard Rear or Front Loading Containers
- Odor Control System
- Hopper Sound Deadening Package
- **Short Body DuraPak 130-HD**
- Single Side Container Hook Up

**DuraPak™**  
130-HD

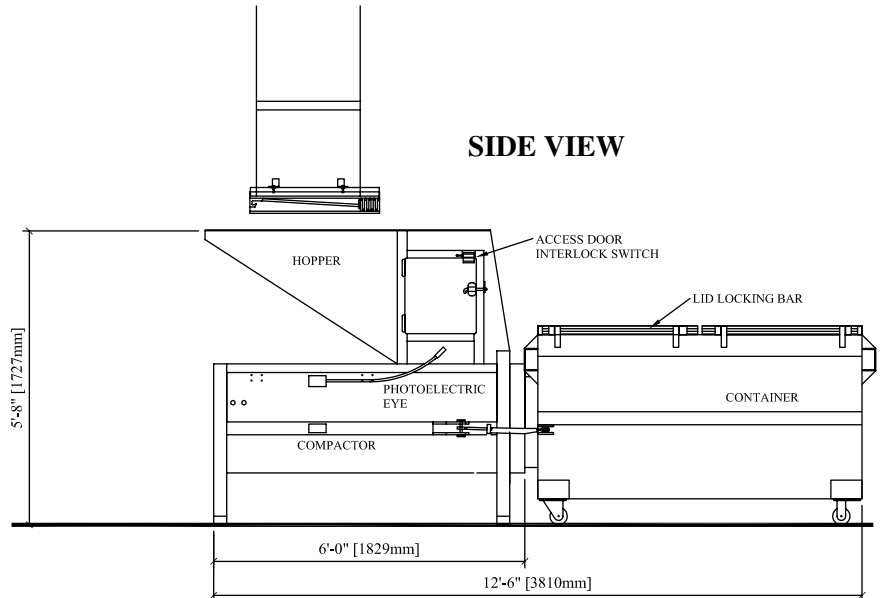
**Loaded With Extras  
At Standard Prices!**

# DuraPak™ “The Quiet Solution”

**TYPICAL COMPACTOR ROOM**



**SIDE VIEW**



COMPACTOR FRAME	
	DP130-HD
MFR's Rating	.25
Clear Top Opening	27" x 24"
Capacity Per Hour	20 cu. yds.
Floor (1/4" + 1/4" Wear plate)	1/2"
Breaker Bar	4" x 3" x 1/2"
Side Plates	1/4"
Hopper Sides & Front	11 GA.
Hopper Shock Plate	1/4"
Ratchet Turnbuckle Cap.	38,000 lbs
Weight w/o Power Unit	1550 lbs

HYDRAULICS	
	DP130-HD
Cylinder	4" x 2" DIA
Cylinder Stroke	32"
Pump	4 GPM
Valve	Single Solenoid Soft Shift
Oil Reservoir	14 GAL
Cycle Time	45 SEC
Normal Pressure	1600 PSI
Max. Pressure	2400 PSI
Normal Force	20,100 LBS
Max. Force	30,100 LBS

RAM	
	DP130-HD
Top Plates	1/4"
Sides	1/4"
Floor	3/8"
Face Plate	3/8"
Hinged Steel Wiper	4" x 1/4"
Wear Pads	YES

ELECTRICAL	
	DP130-HD
Motor (TEFC)*	5HP
"UL" Listed Elec.Components	YES
Power	208/230 3 Phase
NEMA Type Fuse	YES
Photo Electric Eye	YES

\*Totally Enclosed Fan Cooled