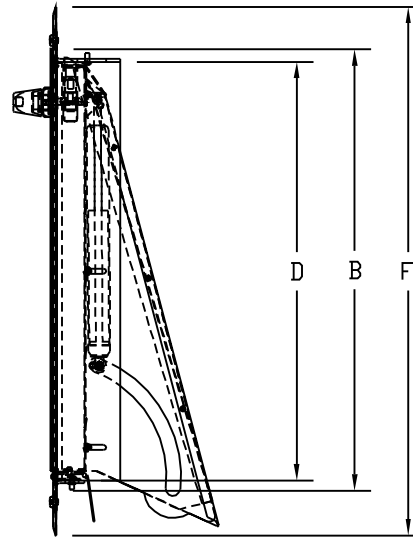
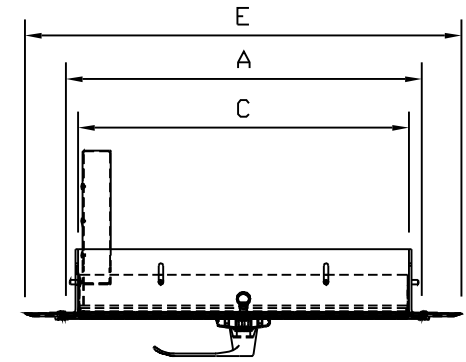


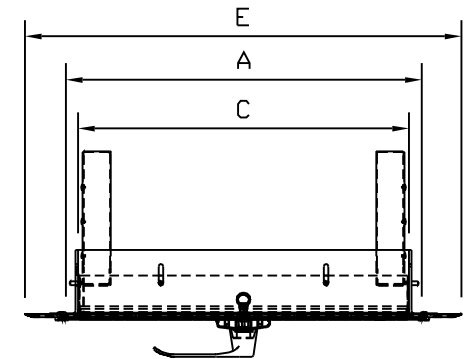
FRONT VIEW



SIDE VIEW



TOP VIEW



\*TOP VIEW FOR 24" X 24" DOOR

\*( 24" x 24" BOTTOM HINGE DOOR HAS TWO CLOSERS)

## TYPICAL BOTTOM HINGE DOOR SIZES

DOOR SIZE	ROUGH OPENING		INSIDE FRAME		OUTSIDE DIMENSIONS	
	A	B	C	D	E	F
15" x 18"	15 1/4"	19 1/4"	15"	19"	21 1/16"	25 1/8"
21" x 18"	21 1/4"	19 1/4"	21"	19"	27 1/16"	25 1/8"
* 24" x 24"	24 1/4"	25 1/4"	24"	25"	30 1/16"	31 1/8"

NOTE:

THIS DRAWING IS THE PROPERTY OF CHUTES International Manufacturing AND IS LOANED ON THE CONDITION THAT IT IS NOT TO BE REPRODUCED AND IS NOT TO BE USED IN WHOLE OR PART TO FURNISH INFORMATION FOR THE MAKING OF DRAWINGS OR DOORS.

**CHUTES**  
INTERNATIONAL  
MANUFACTURING

Phone: (301) 753-4100  
Toll Free: 800-88-CHUTE  
Fax: (301) 753-4109  
4400 Austin Lane  
White Plains, MD 20695  
WWW.CHUTES.COM