



“Leadership by example”SM

Whatever your needs are, CHUTES International™ can supply a solution for you. From meeting bid specifications, to design and build, to furnish and install, to furnish only, we offer a complete line of internal trash and linen chutes, trash compactors, containers, storage lockers and external steel and plastic debris chutes to suit your budget.

We provide expertise to the architectural and engineering industry. Our expert team of estimators and engineers can be called upon for consultation services with just a phone call. These services are provided at absolutely no charge.

We'll help you “get it right”, saving time and money. Get us involved in the planning stages, or when the job is started and be assured that costly delays will be eliminated.

When planning your next project, there is only one name to remember for all your internal trash, linen, mail and external debris chutes: CHUTES International™

CHUTES International™ pioneered the debris chute industry in 1987 with a patented steel chute designed to meet rigid OSHA standards. From this beginning, CHUTES has introduced a full line of chutes for a wide variety of construction, demolition, renovation and roofing applications.

After all, there can only be one leader:
CHUTES International™
*Today's Industry Leader Setting
the Standards for Tomorrow™*

1-800-88-CHUTE (24883)

Website www.chutes.com

e-mail info@chutes.com

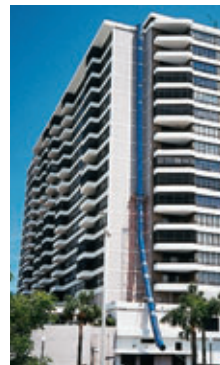
14 91 00/CHU
BuyLine 4143



**Trash
and
Linen
Chutes**



**DuraPak™
Trash
Compactors**



**DURACHUTE™
Construction
Debris Chutes**



**Heavy Duty
Steel
Construction
Debris Chutes**



**Services
Available
Nationwide**

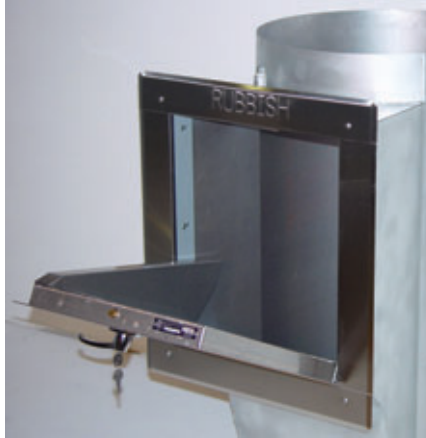
Trash Chute System

Chute Material

Chutes handling general household or office waste should be made of not lighter than 16 ga. aluminized steel or stainless steel.

Intake Doors

Typical 15" wide x 18" high, hand operated hopper type intake doors, self closing, self latching, noiseless, bottom hinged with 1-1/2 hour 'UL' label; maximum 30-minute 250° F temperature rise. Entire door (front & back panels and skirt) in stainless steel finish with ADA compliant lever handle with lock and two keys. MEA Labeled for New York City.
Patent Pending



Typical Trash Chute Section



Vent Top - Trash or Linen Chute

Discharge

The Accordion Fire Damper spring loaded discharge bears a 1-1/2 hour 'UL' label and is held open by a 165° fusible link assembly. This door is intended to provide smoke and fire protection to the chute riser and is not designed to perform as a shut off gate.

ONLY Intake Door on the Market with BOTH Front and Back Stainless Steel Panels and Skirts. Better Looking, Longer Lasting, Easier Cleaning, Low Maintenance!
Patent Pending

Vent

Full diameter vent of same gauge as chute extending minimum of 3 feet (per NFPA) above roof with metal safety cap.

Floor Frames

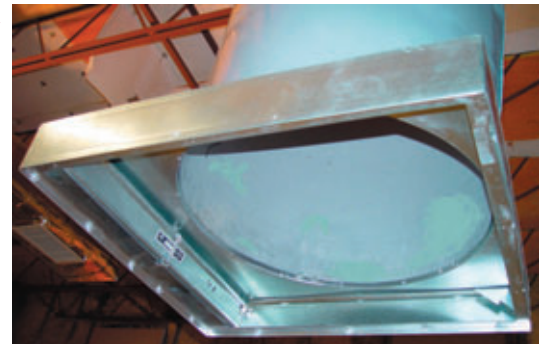
Standard floor frames are 1-1/2" x 1-1/2" x 3/16" steel angle 12" longer than the chute diameter.

Standard Accessories

1/2" NPT sprinkler and 3/4" NPT flushing heads above top intake. Additional 1/2" sprinkler heads at alternate intakes and at first intake as required by NFPA code.

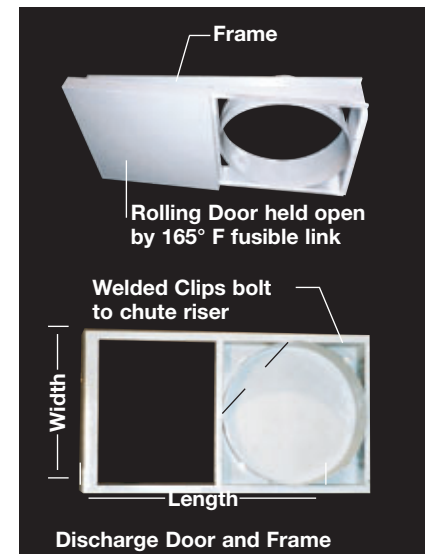
Chute Construction

Chute sections shall be fully factory assembled with all joints welded. There shall be a minimum of one expansion joint per floor and a flush interior assembled without bolts, rivets or clips. The intake door and frame shall be adjustable and securely fastened to the intake throats that are formed as an integral part of the chute section. Chute throat shall have a standard dimension of 10". Larger throats built to accommodate special job conditions. Chute shall be straight and plumb with no offset.



Accordion Discharge Door - 'UL' Labeled

OPTIONAL ACCESSORY: Rolling Incline Door



Trash Chute Dimensions

Chute Ø	Intake Door Sizes*	Accordion Discharge Sizes
	Width x Height	Width x Length
24" (610mm)	15" x 18" (381 x 457mm)	28" x 32" (711 x 813mm)
28" (711mm)	21" x 18" (533 x 457mm)	32" x 37" (813 x 940mm)
30" (762mm)	21" x 18" (533 x 457mm)	34" x 39" (864 x 991mm)
36" (915mm)	24" x 24" (610 x 610mm)	40" x 46" (1016 x 1168mm)

*Nominal Sizes (Compatible with other manufacturers' chutes).
Custom door sizes available upon request - contact us for information.

Linen Chute System

Chute Material

Chutes handling hotel, hospital or general household linen should be made of not lighter than 16 ga. aluminized steel or stainless steel.

Intake Doors

Typical 18" wide x 18" high, hand operated intake doors, self closing, self latching, noiseless, side hinged 170° swing with 1-1/2 hour 'UL' label; maximum 30-minute, 250° F temperature rise. Entire door (front and back panels) in stainless steel finish with ADA compliant lever handle with lock and 2 keys. *Patent Pending*

Discharge

For built in wall discharge of hopper type, a self closing, top hinged, 1-1/2 hour 'UL' label door is furnished with 165° F fusible link. (Drain is optional). For direct discharge into receptacle use standard trash chute discharge.

Vent

Full diameter vent of same gauge as chute extending minimum of 3 feet (per NFPA) above roof with metal safety cap. See picture on page 2.

Floor Frames

Standard floor frames are 1-1/2" x 1-1/2" x 3/16" steel angle 12" longer than the chute diameter.

Standard Accessories

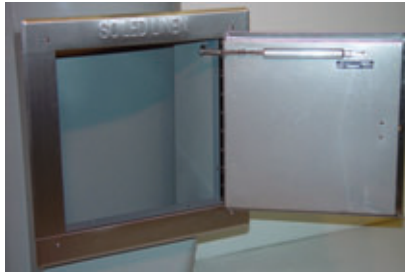
1/2" NPT sprinkler and 3/4" NPT flushing heads above top intake. Additional 1/2" sprinkler heads at alternate intakes and at first intake as required by NFPA code.

Chute Construction

Chutes shall be fully factory assembled with all joints welded. There shall be a minimum of one expansion joint per floor and a flush interior assembled without bolts, rivets or clips. The intake door and frame shall be adjustable and securely fastened to the intake throats that are formed as an integral part of the chute section. Chute throat shall have a standard dimension of 10". Larger throats built to accommodate special job conditions. Chute shall be straight and plumb with no offset.



Linen Discharge



Linen Chute Intake Door-Side Hinged



Optional Disinfecting and Sanitizing Unit for Trash and Linen Chutes

Linen Chute Dimensions

Chute Ø	Intake Door Sizes*	Hopper Discharge Door Sizes
	Width x Height	Width x Length
24" (610mm)	18" x 18" (457 x 457mm)	24" x 30" (610 x 762mm)
28" (711mm)	21" x 21" (533 x 533mm)	28" x 36" (711 x 915mm)
30" (762mm)	21" x 21" (533 x 533mm)	30" x 36" (762 x 915mm)
36" (915mm)	24" x 24" (610 x 610mm)	36" x 48" (915 x 1219mm)

Custom door sizes available upon request - contact us for information

*Door sizes are nominal



Trash & Linen Chutes

Product Standard Features

- Entire Door Stainless Steel (Front & Back Panels and Skirts)
- No Rivet or Bolt Protrusions into Chute
- Factory Welded Joints
- Aluminized Steel Construction or Optional Stainless Steel
- Low Impact Sloping Intake Throat
- Intermediate Fire Sprinkler Heads
- 'UL' Fire Rated Intake and Discharge Doors
- Intake Doors Embossed With "RUBBISH" or "SOILED LINEN"
- ADA Compliant Lever Handle with Lock and 2 Keys
- Discharge Floor Retainer Flange

Optional Accessories

- Factory Applied Sound Dampening
- Isolator Pads
- Smoke Detectors
- Heat Detectors
- Electrical Interlocks
- Disinfecting and Sanitizing Unit
- Pass-Thru Doors
- Additional Floor Retainer Flanges
- Drain for Linen Discharge
- Rolling Incline Door of 'UL' label Construction.
- Extra Wide Trim
- Other Chute Sizes Available

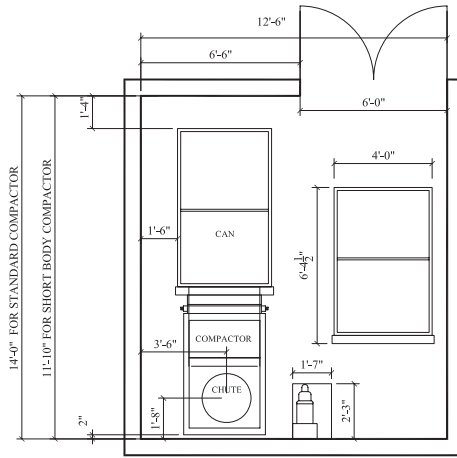
Installation

Sheet metal contractor shall assemble the chute in place as per detail in shop drawings, align and anchor as required. Plumbing contractor to connect all water supply lines to flushing and sprinkler heads. Electrical contractor to complete any wiring that may be necessary for the electrical interlocks. Masonry or carpentry contractor to erect surrounding shaft walls after chute is set in place.

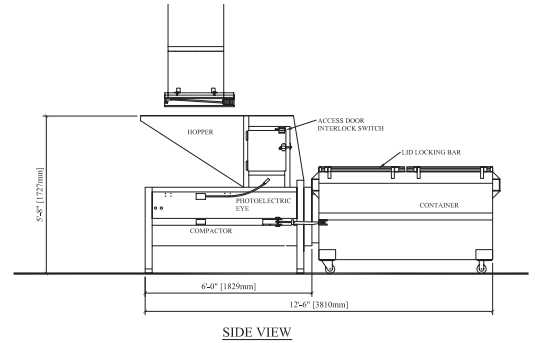
Call Now For Assistance!
1-800-88-CHUTE (24883)

DuraPak™ Trash Compactors "The Quiet Solution"

DP130-HD



Minimum Room Size
12'-6" W x 14'-0" L (3810 x 4267.2mm)
Nominal Container Size
48" W x 76 1/2" L (1219 x 1943.1mm)



TYPICAL COMPACTOR ROOM

Description

DuraPak™ 130-HD Compactor delivers exceptional power while running more quietly than similar models.

Applications

Designed for high-rise applications, DuraPak™ machines are ideally suited for apartments, office buildings, hotels, and hospitals.

Standard Features

- Capacity: 20 cu. yds/hr. (18.35 m/hr.)
- Clear Top Opening 27" x 24" (686 x 610mm)

- Weight 1550 LBS (704 Kg)
- Remote Power unit
- 'UL' Listed Electrical Components
- On / Off Key Switch
- Mushroom Stop Button
- On Light
- Container Full Light
- 5-HP Motor 208V 3PH
- Photo Electric Eye
- Automatic Cycle
- Ratchet Turnbuckle Hookup
- Interlocked Side Access Door with Automatic Shut-Off
- Soft Shift Single Solenoid Valve
- Hinged Steel Wiper Blade

- Replaceable Low Friction, Noise Reducing Wear Pads
- Oil Pressure Gauge

Options

- Single Phase Motor
- Odor Control System
- Access Door on Both Sides
- Hopper Sound Deadening Package
- Short Body Durapak 130-HD
- One Side Container Hook-Up
- 5-HP Motor 460/480V 3PH
- 2 or 3 Yard Rear or Front Loading Containers

Heavy Duty Steel

Construction Debris Chutes



Our unique patented, 36" x 36" heavy-duty steel system provides safe, fast and economical disposal of debris for new construction and heavy renovation work. Debris is placed through the chute door and falls into containers at street level.

Our debris chutes mount through windows, away from the structure or exterior walls.

We are the only company offering design, installation, supervision, rental and dismantling of the debris chute system. We can design chute systems to meet your every specification and need.

We utilize the only debris removal system meeting or exceeding all OSHA standards and requirements. We supply the most efficient, maintenance free and highest quality construction debris chute in the industry.

CHUTES International works nationwide - Call us with your specific needs: 800-882-4883.

CHUTES

INTERNATIONAL™
MANUFACTURING

DURACHUTE™

Construction Debris Chutes



The DURACHUTE™ HDPE chute is designed for light-duty construction, roofing and/or light renovation work.

Constructed of blow-molded, high-density polyethylene, it is more resilient than any other comparable chute. CHUTES offers an entire line of accessories to meet any application!

Visit our website to compare DURACHUTE to the competition: www.chutes.com.

DURACHUTE™ Features

- Large 32" Inside Diameter
- COMPLETE System to Meet Your Every Need
- Safe, Easy and Quick to Install
- COST EFFECTIVE - Pays for Itself in 1-2 Uses
- All Galvanized Hardware
- Intermediate Hoppers Allow Access From Any Floor
- Telescoping Sections for Easy Transport & Storage

4400 Austin Lane, White Plains, Maryland 20695

• Tel 800-882-4883 • Fax 301-753-4109

• e-mail: info@chutes.com • website: www.chutes.com

see us at
Sweets.com