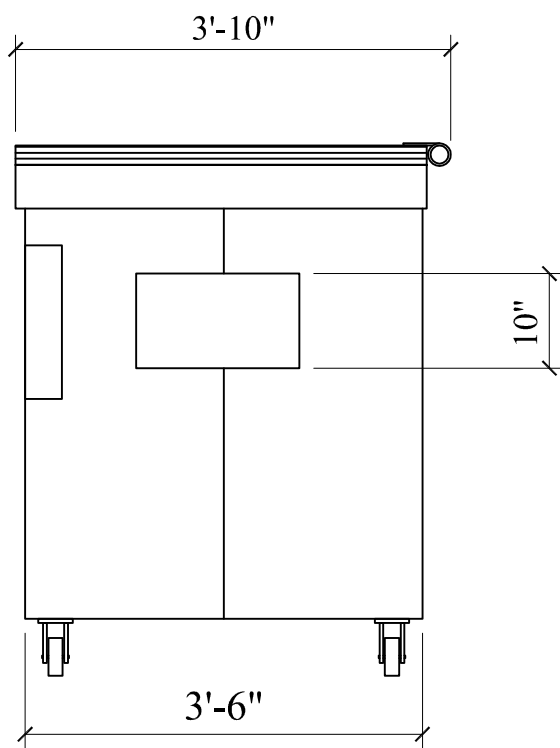
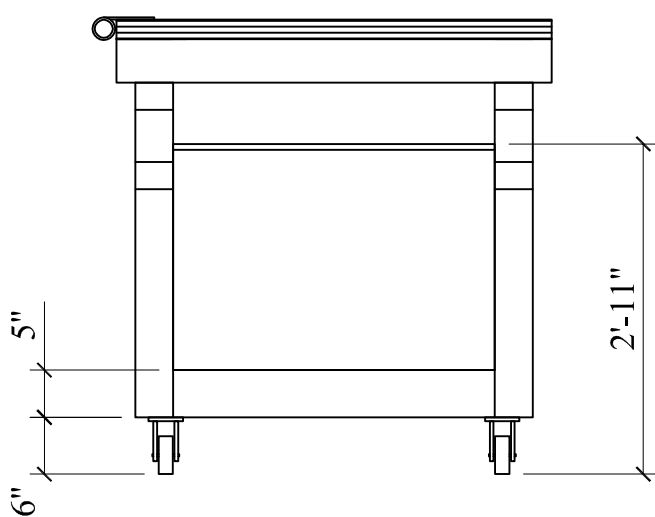


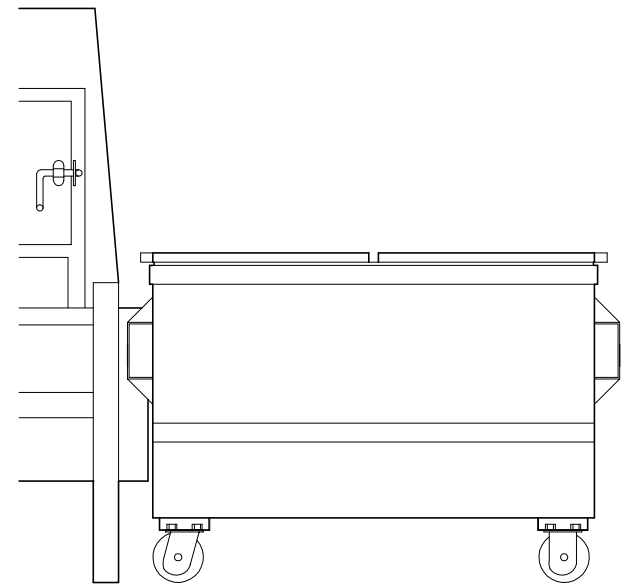
*SIDE VIEW*



*SIDE VIEW*



*SIDE VIEW*



NOTE:

1. THIS DRAWING IS THE PROPERTY OF CHUTES International MANUFACTURING AND IS LOANED ON THE CONDITION THAT IT IS NOT TO BE REPRODUCED AND IS NOT TO BE USED IN WHOLE OR PART TO FURNISH INFORMATION FOR THE MAKING OF DRAWINGS OR CANS.
2. REMOVE ALL WELD SPLATTER
3. GRIND SMOOTH ALL SHARP AREAS.

MATERIALS

- 1
- SIDES - 12 GA. STEEL
  - BOTTOM - 10 GA. STEEL
  - LDS - 14 GA. STEEL
  - POCKETS - 7 GA. STEEL
  - CASTER PADS - 10 GA. STEEL
  - CHANNELS - 10 GA. STEEL
  - CHARGING DOOR - 10 GA. STEEL
  - REINFORCING CHANNEL @ CASTER - 3/16" STEEL
  - RISER - 10 GA. STEEL

PICK UP OPTION:

- 2
- FRONT LOAD PICK UP
  - REAR LOAD PICK UP

1ST SUBMITTAL		
RESUBMITTAL		
APPROVED FOR FAB.		

Job Name:	
Customer:	
Location:	
Item:	3 CUBIC YARD COMPACTOR CAN

PO No.		JOB No.	
--------	--	---------	--

**CHUTES**  
INTERNATIONAL  
MANUFACTURING

Phone: (301) 753-4100  
Toll Free: 800-88-CHUTE  
4400 Austin Lane  
White Plains, MD 20695  
WWW.CHUTES.COM